



# LIVELY 40 BAIT PEN



## ASSEMBLY INSTRUCTIONS



**(563) 334-0550**



**hello@fishlively.com**



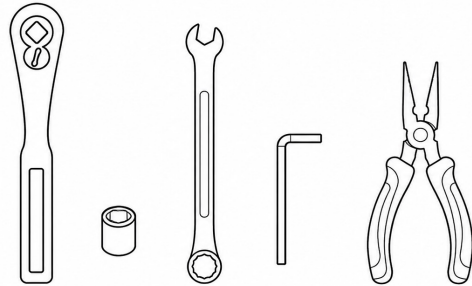
**www.fishlively.com**



**3mergent Holdings, LLC / dba LIVELY, 640 Myatt Drive, Nashville TN 37115, United States**

**TOOLS NEEDED:**

- $\frac{7}{16}$ " Socket with Ratchet Handle
- $\frac{7}{16}$ " End Wrench
- $\frac{5}{32}$ " Hex Key or Wrench
- Needle-nose Pliers

**PARTS LIST:**

- Top Lid Assembly
- Pen Floor
- Two (2) Sidewalls
- Two (2) Side Loops
- Six (6)  $\frac{1}{4}$ "-20 x  $\frac{5}{8}$ " Button Head Hex Bolts
- Eight (8)  $\frac{1}{4}$ "-20 x  $\frac{7}{8}$ " Button Head Hex Bolts
- Four (4)  $\frac{1}{4}$ "-20 x 1- $\frac{1}{2}$ " Button Head Hex Bolts
- Two (2)  $\frac{1}{4}$ "-20 x 2" Button Head Hex Bolts
- Twenty (20)  $\frac{1}{4}$ "-20 Nyloc Nuts
- Forty (40)  $\frac{1}{4}$ " Washers
- Thirty-six (36) Sidewall Retaining Clips

**ATTENTION:**

All hardware is stainless steel. Stainless steel hardware can gall and seize during installation. To help prevent this, apply a small amount of marine-grade grease to the bolt threads before assembly.

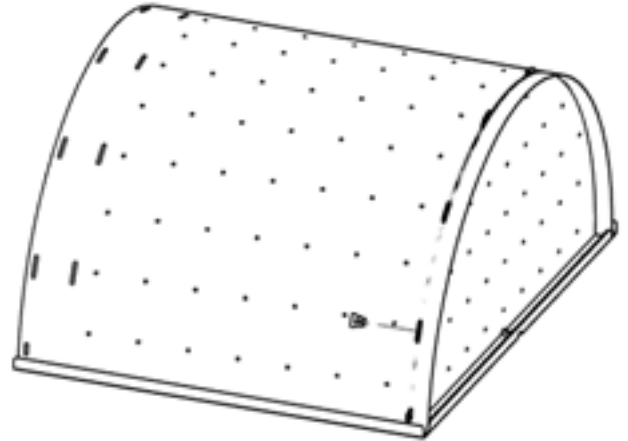


### 1 INSTALL SIDEWALLS

1a. Wrap one sidewall around the pen floor. It may help to lay the sidewall and floor on a table or flat surface during assembly.

1b. Secure the sidewall to the floor using one retaining clip at each end of the wall. Install each retaining clip into the slot with the tapered side facing toward the wall.

1c. Once the retaining clip is partially installed, squeeze the narrow end with needle-nose pliers and work the clip fully into place.

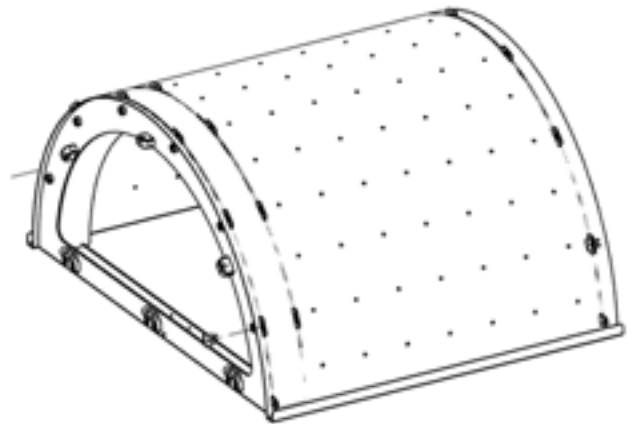


**COMPLETE THIS STEP FOR EACH PEN HALF**

### 2 INSTALL TOP LID ASSEMBLY

2a. Install the top lid assembly the same as the pen floor assembly. Lids may be removed for easier access to inside of pen.

2b. Be sure to align the float retainers with the lower slots at this time of assembly.



**COMPLETE THIS STEP FOR EACH PEN HALF**



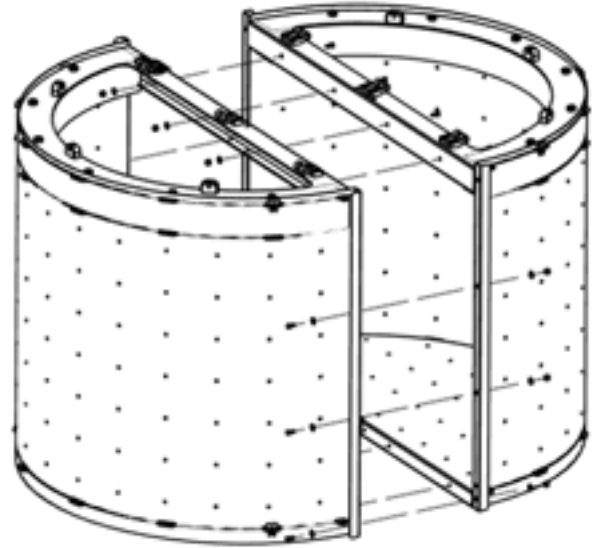
### 3 JOIN PEN HALVES

**3a.** Install the six (6) 1/4"-20 x 5/8" bolts, washers, and nyloc nuts in the vertical sidewall joints. Do not tighten at this time.

**3b.** Install the eight (8) 1/4"-20 x 7/8" bolts, washers, and nyloc nuts joining the top and bottom halves.

**3c.** Once all hardware is installed, tighten the eight (8) 1/4"-20 x 7/8" bolts connecting the top and bottom halves.

**3d.** Leave the six (6) 1/4"-20 x 5/8" bolts in the vertical sidewall joints loose until the side loops are installed in Step 4.



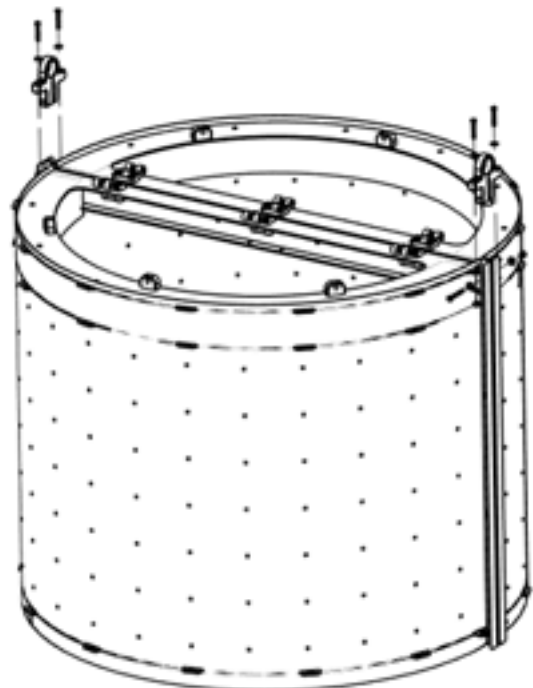
### 4 INSTALL SIDE LOOPS AND HARDWARE

**4a.** Install the side loop by sliding the slot in the loop over the sidewall seams from the top.

**4b.** Install four (4) 1/4"-20 x 1-1/2" bolts, washers, and nyloc nuts from the top down through the side loop. Do not tighten.

**4c.** Install two (2) 1/4"-20 x 2" bolts, washers, and nyloc nuts through the side loop and sidewalls. Ensure the nuts are positioned on the narrow leg of the side loop.

**4d.** Once all fasteners are installed, tighten all fasteners, including the six (6) 1/4"-20 x 5/8" bolts installed in Step 3.





### 5 INSTALL SIDEWALL RETAINER CLIPS AND LIDS

---

5a. Insert the remaining sidewall retainer clips into all open tab slots with the tapered side facing inward.

5b. Once the retainer clip is partially installed, use needle-nose pliers to squeeze the narrow end of the retainer clip and work it fully into place.

5c. Reinstall both lids and verify they open, close, and latch properly.





**(563) 334-0550**



**hello@fishlively.com**



**www.fishlively.com**



**3mergent Holdings, LLC / dba LIVELY, 640 Myatt Drive, Nashville TN 37115, United States**