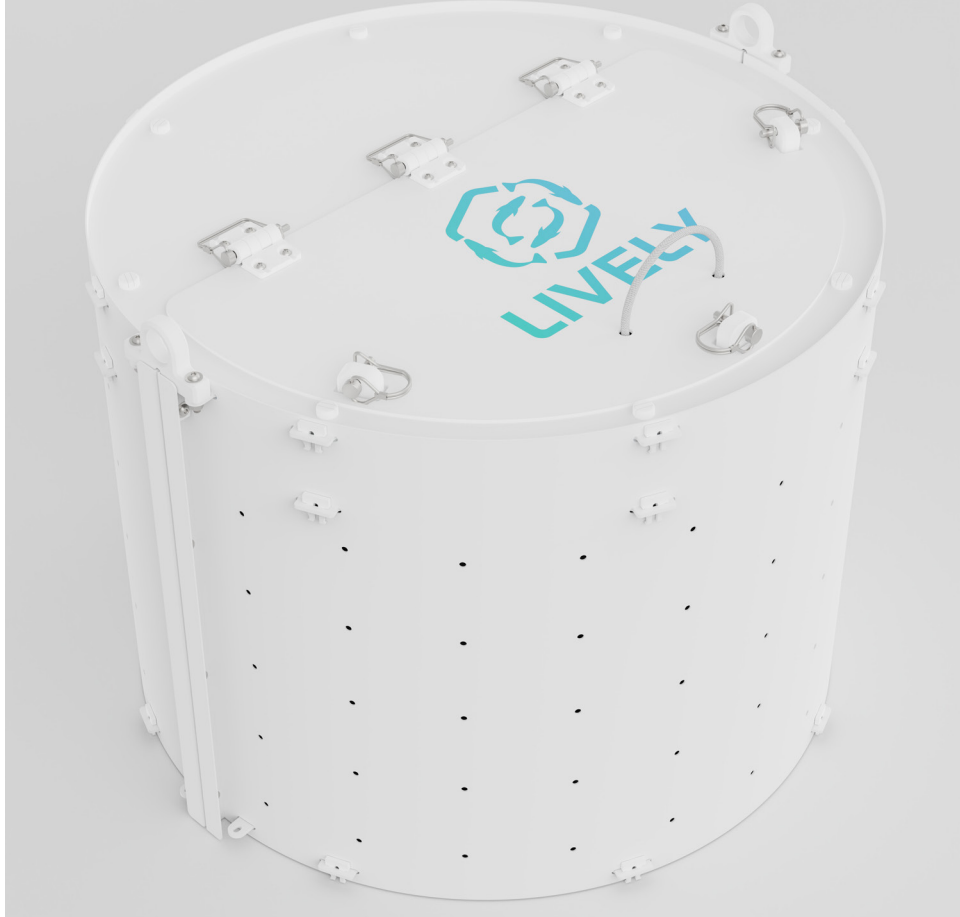




# LIVELY 30 BAIT PEN



## ASSEMBLY INSTRUCTIONS



**(563) 334-0550**



**hello@fishlively.com**



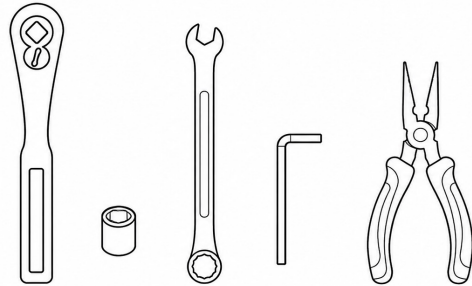
**www.fishlively.com**



**3mergent Holdings, LLC / dba LIVELY, 640 Myatt Drive, Nashville TN 37115, United States**

**TOOLS NEEDED:**

- $\frac{7}{16}$ " Socket with Ratchet Handle
- $\frac{7}{16}$ " End Wrench
- $\frac{5}{32}$ " Hex Key or Wrench
- Needle-nose Pliers

**PARTS LIST:**

- Top Lid Assembly
- Pen Floor
- Sidewalls
- Six (6)  $\frac{1}{4}$ "-20 x  $\frac{5}{8}$ " Button Head Hex Bolts
- Four (4)  $\frac{1}{4}$ "-20 x 1- $\frac{1}{2}$ " Button Head Hex Bolts
- Two (2)  $\frac{1}{4}$ "-20 x 2" Button Head Hex Bolts
- Twelve (12)  $\frac{1}{4}$ "-20 Nyloc Nuts
- Twenty-four (24)  $\frac{1}{4}$ " Washers
- Twenty-four (24) Sidewall Retaining Clips

**ATTENTION:**

All hardware is stainless steel. Stainless steel hardware can gall and seize during installation. To help prevent this, apply a small amount of marine-grade grease may be used on the bolt threads before assembly.

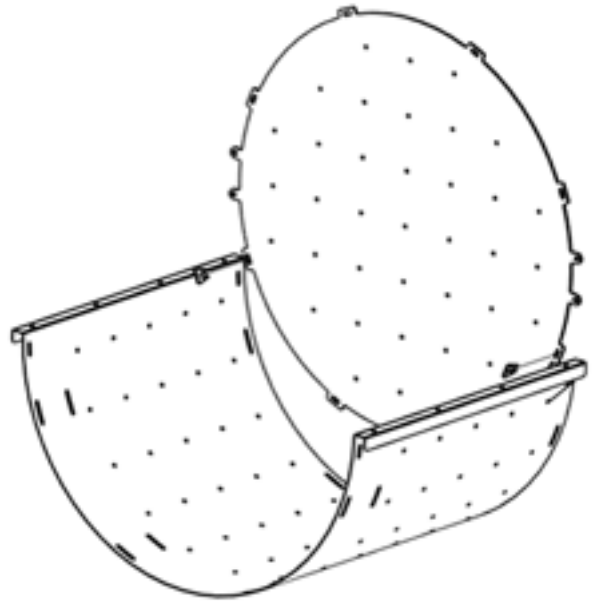


### 1 INSTALL FIRST SIDEWALL

1a. Wrap one sidewall around the pen floor. It may help to lay the sidewall and floor on a table or flat surface during assembly.

1b. Secure the sidewall to the floor using one retaining clip at each end of the wall. Install each retaining clip into the slot with the tapered side facing toward the wall.

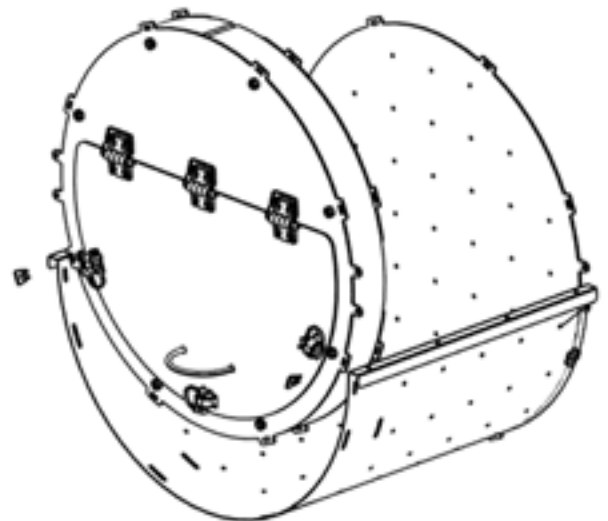
1c. Once the retaining clip is partially installed, squeeze the narrow end with needle-nose pliers and work the clip fully into place.



### 2 INSTALL TOP LID ASSEMBLY

2a. Install the top lid assembly the same as the pen floor assembly.

2b. Be sure to align the float retainers with the lower slots during at this time of assembly.

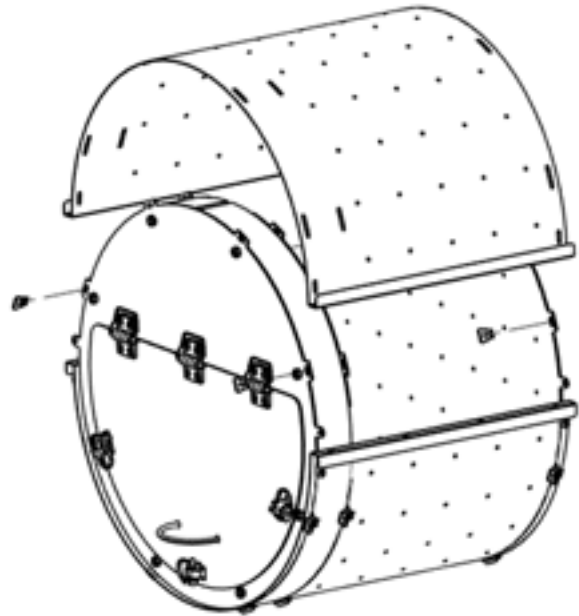




### 3 INSTALL SECOND SIDEWALL

3a. Wrap the second sidewall around the top lid assembly and pen floor. Insert the tabs into the slots, working your way around the pen.

3b. Secure the sidewall with a retaining clip at each end of the top and bottom assemblies.



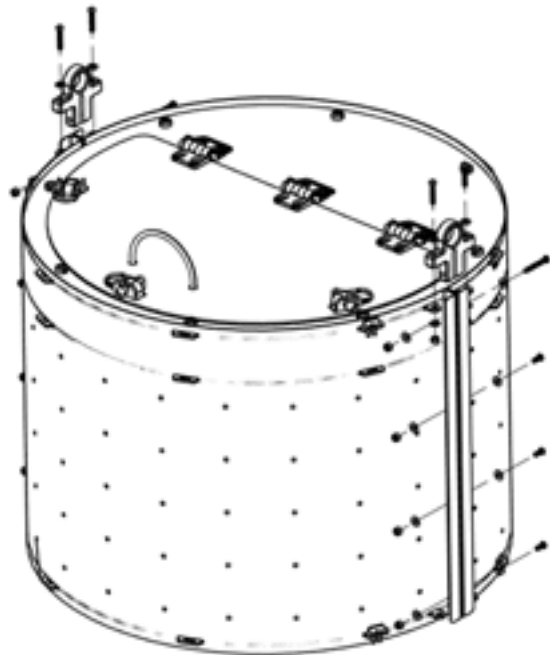
### 4 INSTALL SIDE LOOPS AND HARDWARE

4a. Install the side loop by sliding the slot in the loop over the sidewall ends.

4b. Install two 1/4" x 1-1/2" bolts, nuts, and washers from the top down through the side loop.

4c. Install one 1/4" x 2" bolt, nut, and washer through the side loop and sidewalls. Ensure the nut is positioned on the narrow leg of the side loop.

4d. Install the three lower 1/4" x 5/8" bolts, nuts, and washers on each side. Once all fasteners are installed, tighten all fasteners.





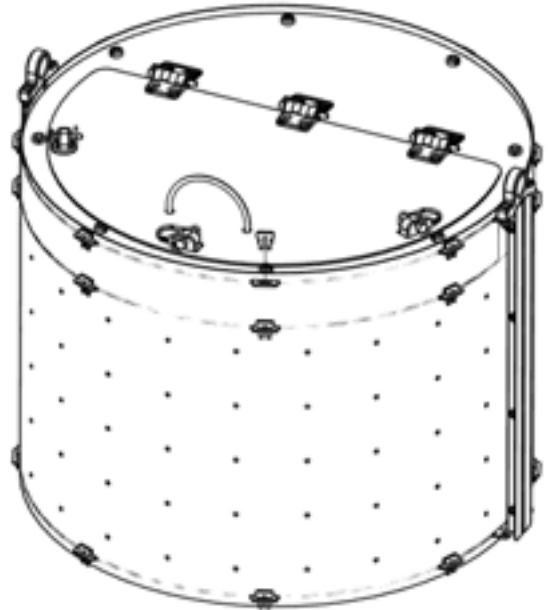
### 5

## INSTALL SIDEWALL RETAINER CLIPS

---

**5a.** Insert the sidewall retainer clips into the tab slot with the tapered side facing inward.

**5b.** Once the retainer is partially installed, use needle-nose pliers to squeeze the narrow end of the retainer and insert the retainer completely.





**(563) 334-0550**



**hello@fishlively.com**



**www.fishlively.com**



**3mergent Holdings, LLC / dba LIVELY, 640 Myatt Drive, Nashville TN 37115, United States**