



LIVELY 20 BAIT PEN



ASSEMBLY INSTRUCTIONS



(563) 334-0550



hello@fishlively.com



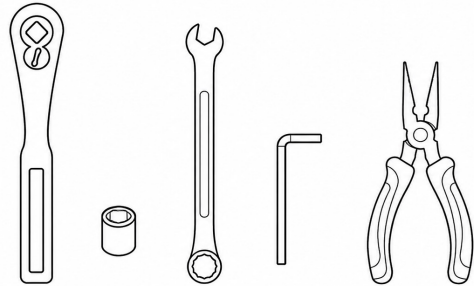
www.fishlively.com



3mergent Holdings, LLC / dba LIVELY, 640 Myatt Drive, Nashville TN 37115, United States

TOOLS NEEDED:

- $\frac{7}{16}$ " Socket with Ratchet Handle
- $\frac{7}{16}$ " End Wrench
- $\frac{5}{32}$ " Hex Key or Wrench
- Needle-nose Pliers

**PARTS LIST:**

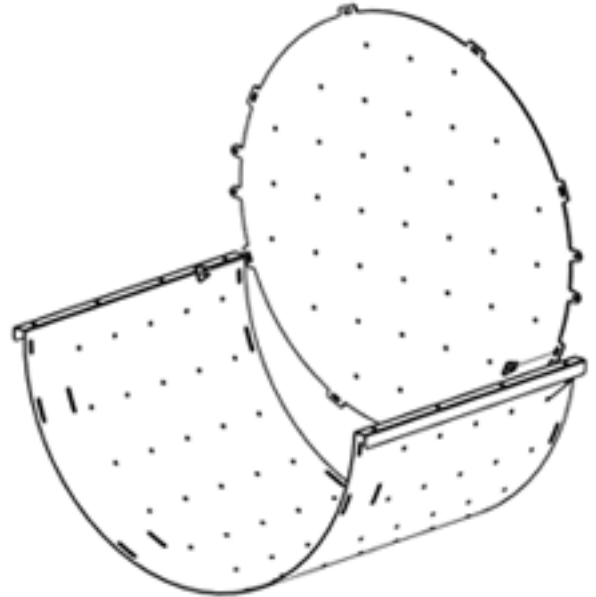
- Top Lid Assembly
- Pen Floor
- Sidewalls
- Four (4) $\frac{1}{4}$ "-20 x $\frac{5}{8}$ " Button Head Hex Bolts
- Four (4) $\frac{1}{4}$ "-20 x 1- $\frac{1}{2}$ " Button Head Hex Bolts
- Four (4) $\frac{1}{4}$ "-20 x 2" Button Head Hex Bolts
- Ten (10) $\frac{1}{4}$ "-20 Nyloc Nuts
- Twenty (20) $\frac{1}{4}$ " Washers
- Twenty-four (24) Sidewall Retaining Clips



1 INSTALL FIRST SIDEWALL

1a. Wrap one sidewall around the pen floor. It may help to lay the sidewall on a flat surface during assembly.

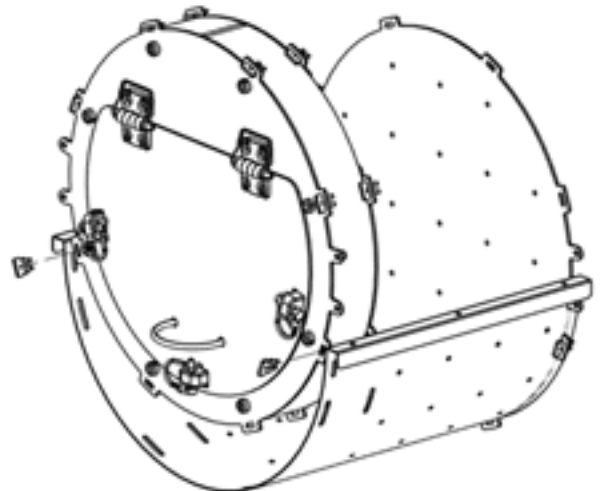
1b. Install a clip at each end of the sidewall to secure it. Insert the clip into the slot with the tapered side facing the sidewall. Once the clip is started, use needle-nose pliers to squeeze the small end of the clip and work the clip into place.



2 INSTALL TOP LID ASSEMBLY

2a. Install the top lid assembly the same as the pen floor assembly.

2b. Be sure to align the float retainers with the lower slots during assembly.

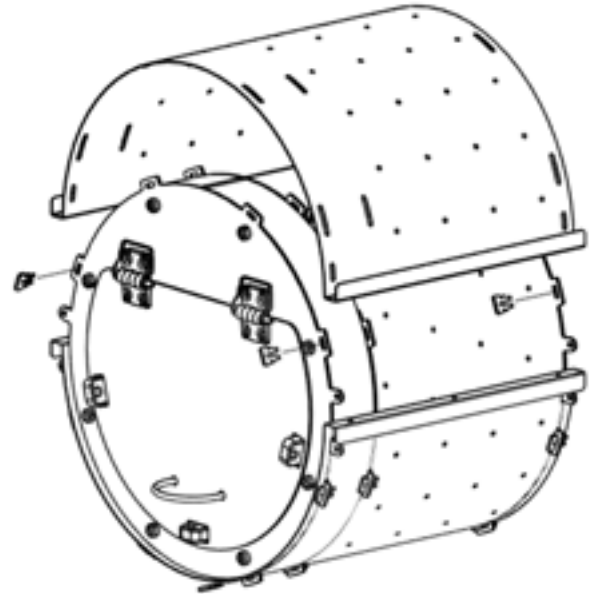




3 INSTALL SECOND SIDEWALL

3a. Wrap the second sidewall around the top lid assembly and pen floor. Insert the tabs into the slots, working your way around the pen.

3b. Secure the sidewall with a retaining clip at each end of the top and bottom assemblies.



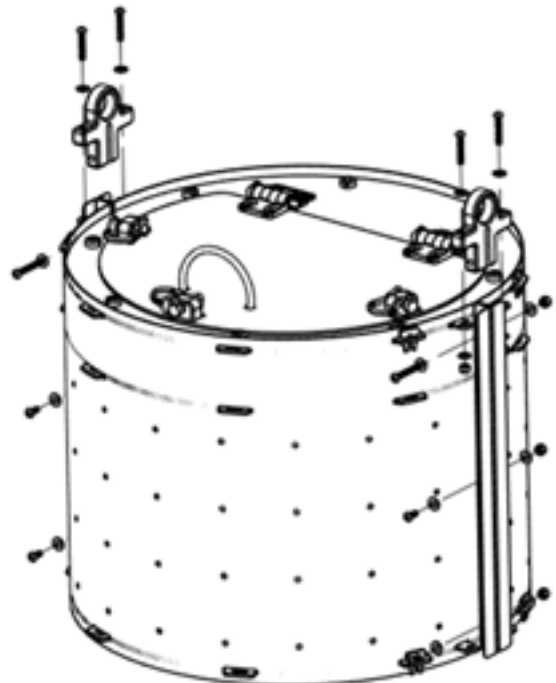
4 INSTALL SIDE LOOPS AND HARDWARE

4a. Install the side loop by sliding the slot in the loop over the sidewall ends.

4b. Install two 1/4" x 1-1/2" bolts, nuts, and washers from the top down through the side loop.

4c. Install one 1/4" x 2" bolt, nut, and washer through the side loop and sidewalls. Ensure the nut is positioned on the narrow leg of the side loop.

4d. Install the two lower 1/4" x 5/8" bolts, nuts, and washers on each side. Once all fasteners are installed, tighten all fasteners.





5 INSTALL SIDEWALL RETAINERS

5a. Insert the sidewall retainer into the tab slot with the tapered side facing inward.

5b. Once the retainer is partially installed, use needle-nose pliers to squeeze the narrow end of the retainer and insert the retainer completely.





(563) 334-0550



hello@fishlively.com



www.fishlively.com



3mergent Holdings, LLC / dba LIVELY, 640 Myatt Drive, Nashville TN 37115, United States